

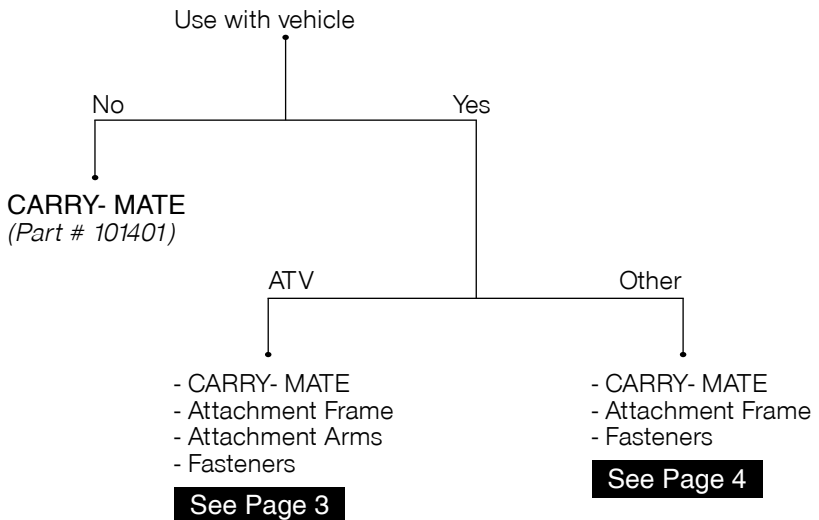
CARRY-MATE

Vehicle Installation Guide

Safety Precautions

- Do not overload CARRY-MATE (10kg maximum capacity)
- To avoid injury refer to your vehicle safety manual for maximum loading. Always drive to the conditions and be aware CARRY-MATE may affect handling of your vehicle
- Always ensure your CARRY-MATE is securely mounted on bracket when operating with a vehicle
- Never allow anyone to ride on CARRY-MATE or bracket

How will you use CARRY-MATE?

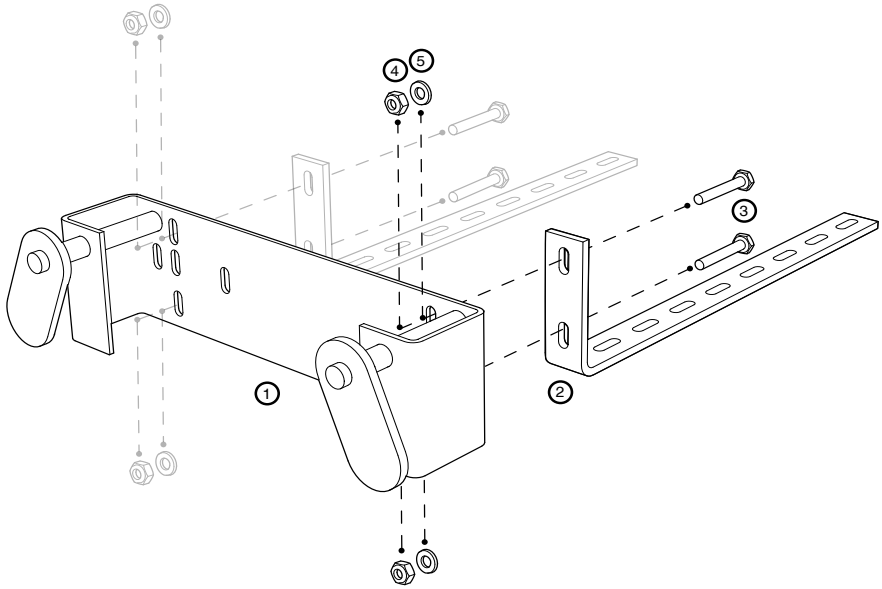


Parts List

	Name	Part Number
1	Attachment Frame	CM-1014
2	Attachment Arm	CM-L300
3	Bolt M6x16	CM-B616
4	Nyloc Nut M6	CM-N6N
5	Washer M6	CM-W6S
6	Bolt M6x40	CM-B640
7	Plate Saddle	CM-PS70
8	U-bolt 25mm	CM-U625
9	U-bolt 35mm	CM-U635
10	U-bolt 50mm	CM-U650

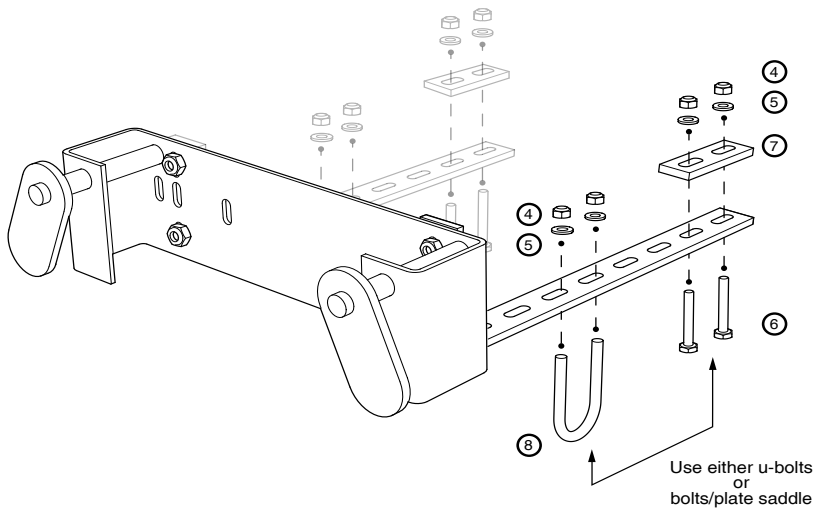
ATV

STEP 1: Attach frame(1) to arms(2) using bolts(3), nuts(4) and washers(5)



ATV

STEP 2: Mount frame to ATV using either u-bolts(8) or bolts(6)/plate saddles(7)



Other

STEP 1: Attach frame to vehicle using u-bolts (8,9,10) or bolts(6)/plate saddle(7)

